

WIRING DIAGRAMS

Article Text

1990 Audi 200

For *** **

Copyright © 1998 Mitchell Repair Information Company, LLC
Saturday, May 08, 1999 04:37PM

ARTICLE BEGINNING

1990 Wiring Diagrams
Audi

200

COMPONENT LOCATION MENU

COMPONENT LOCATIONS TABLE

AA

Component (Figure No.) Location

A/C COMP CLUTCH	4	(D 12)
A/C CONTROL HEAD	4	(C 14)
A/C HI PRES SW	5	(E 17)
A/C PROGRAMMER	4	(E 15)
A/C RELAY	4	(D-E 12)
A/T CONSOLE LT	4	(A 15)
ABS SYSTEM	3	(A-E 8-11)
AIRBAGS	6	(D 22-23)
ALTERNATOR	1	(B 3)
ANTI-THEFT SYSTEM	10	(D-E 37-39)
AUTO SHIFT LOCK CONTROL UNIT	4	(A-B 15)
AUXILIARY PANEL LAYOUT	6	(E 21-23)
BACK-UP LT SW	11	(D 43)
BATTERY	1	(A 2)
BOARD COMPUTER CTRL SWS	7	(D-E 24-25)
BRAKE WARNINGS SWS	7	(A-B 26-27)
CB #14	11	(B 40)
CENTRAL LOCKS MOTOR	10	(E 36)
COMBINATION SW	5	(A 16-18)
COOLANT LOW LEVEL SW	7	(A 24)
CRUISE CONTROL SYSTEM	6	(B-C 21-23)
DIFFERENTIAL LOCK	7	(A-B 24-26)
DISTRIBUTOR	2	(D 7)
DOOR LOCK HEATERS	10	(B 39)
DOOR LOCK SWS	10	(E 36-37)
DOOR SWS	7	(B-C 27)
ELECTRONIC IGNITION CONTROL UNIT	2	(A 5-6)
ELECTRONIC THERMO SW	7	(A 24)
ENGINE COMPT LT	1	(E 2)
ENGINE CTRL IND	8	(A 29)
FOOTWELL LTS	7	(B-C 25)
FRONT ASHTRAY LT	8	(A 28)
FRONT CIG LTR	8	(A-B 28)
FRONT LT CTRL UNIT	1	(B 1)
FUEL GAUGE SENDER	6	(E 20)
FUEL PUMP	4	(B 15)
FUSE #26	10	(A 39)
FUSE #28	2	(D-E 5)
FUSE/RELAY PANEL	4, 5, 6	(C 12-20)

WIRING DIAGRAMS

Article Text (p. 2)

1990 Audi 200

For *** **

Copyright © 1998 Mitchell Repair Information Company, LLC
Saturday, May 08, 1999 04:37PM

FUSE/RELAY PANEL LAYOUT	6 (A 21-23)
GEAR SELECT SW	4 (A 14)
GLOVE COMPT LT	7 (C 26)
HAZARD FLASHER RELAY	5 (A 18-19)
HEATED SEATS	10 (B-C 36-39)
HORN SW	4 (B 13)
IDLE STABILIZER	2 (C-D 7)
IGNITION SW	4 (A 12-13)
INJ COOLING FAN RELAY	1 (B 3)
INSIDE AIR TEMP SENSOR #1 FAN MOTOR	4 (D 12-13)
INST CLSTR	7, 8 (D-27, A-E 31)
INTENSIVE WASHER MOTOR	6 (C-D 22)
INTENSIVE WASHER RELAY	6 (C-D 23)
INTERIOR LT DELAY CTRL UNIT	7 (B 24)
LIGHT SW	5 (E 18-19)
LUGGAGE COMPT LT	10 (A-B 36)
MEMORY SEAT	9 (A-E 32-35)
PARK BRAKE SW	7 (A 27)
POWER MIRRORS	10 (A 37-38)
POWER WINDOWS/SUNROOF CONTROL UNIT	11 (B-C 40)
POWER WINDOWS	11 (B-D 40-42)
RAD COOL FAN	1 (C-D 2-3)
RADIO (PARTIAL)	10 (D 36)
READING LIGHTS	7 (C-D 24)
REAR ASHTRAY LTS	11 (E 40)
REAR CIG LTR	11 (E 40)
REAR DEFOGGER	11 (A-B 41-42)
REAR FOG LT	11 (A 43)
REAR FOG LT SW	5 (E 16)
REAR LT CTRL UNIT	11 (A 42-43)
REAR WIPER SYSTEM	11 (A 40)
SAFETY SW	11 (D 40)
SEAT BELT WARNING CONTROL UNIT	8 (C-D 28)
SPEEDOMETER SENDER	8 (B 28)
STARTER	1 (A 2-3)
STOP LT SW	4 (B 13)
SUNROOF	11 (D-E 41-42)
VANITY LTS	7 (D 25)
WARNING MDULE	4 (A 15)
WASHER FLUID LEVEL SW	1 (E 3)
WASHER MOTOR	1 (E 3)
WIPER MOTOR	1 (E 1)

AA

WIRING DIAGRAMS

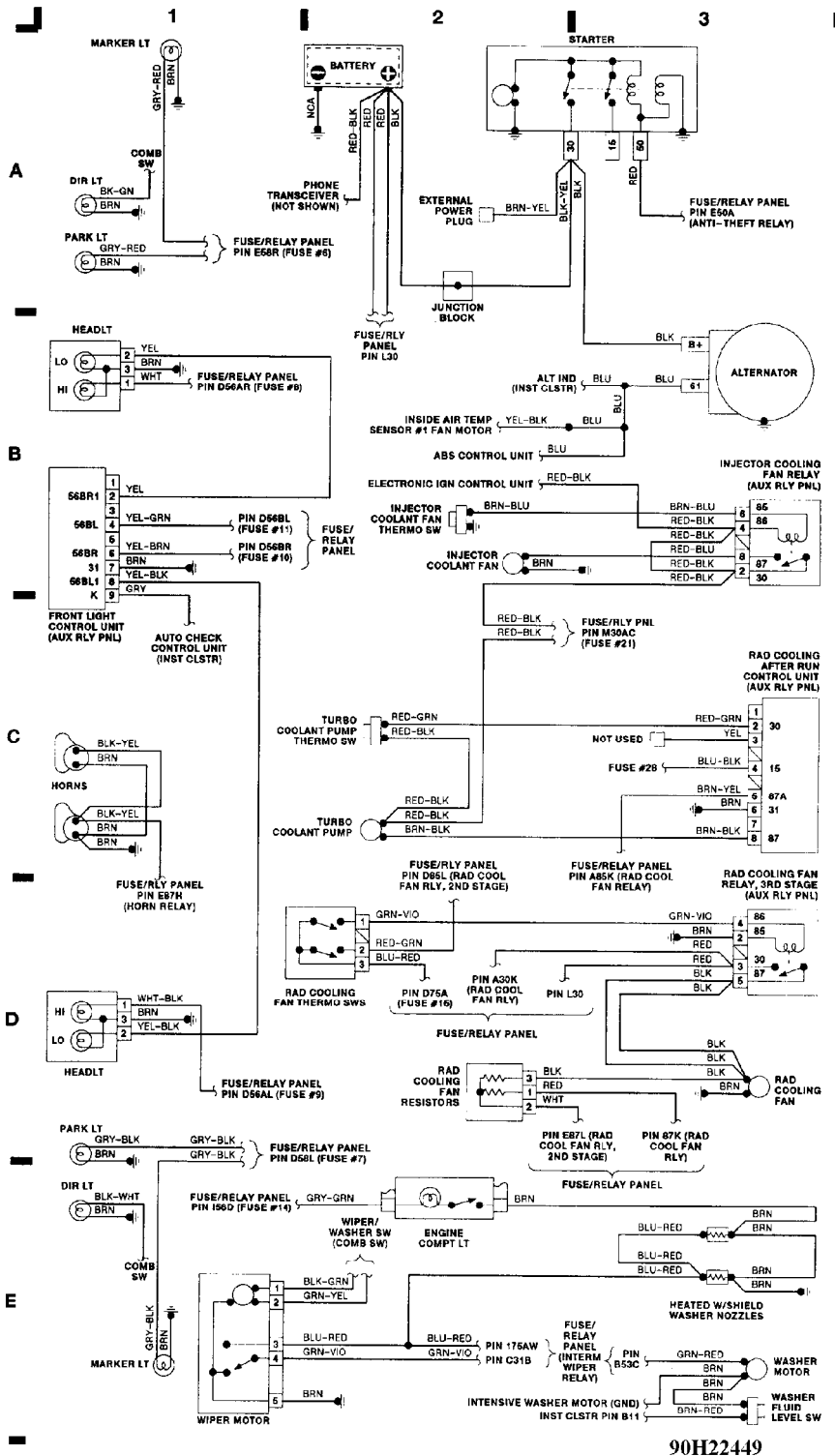
WIRING DIAGRAMS

Article Text (p. 3)

1990 Audi 200

For *** **

Copyright © 1998 Mitchell Repair Information Company, LLC
Saturday, May 08, 1999 04:37PM



90H22449

Fig. 1: Engine Compartment & Headlights (Grid 1-3)

WIRING DIAGRAMS

Article Text (p. 5)

1990 Audi 200

For *** ** * ** * ** *

Copyright © 1998 Mitchell Repair Information Company, LLC
Saturday, May 08, 1999 04:37PM

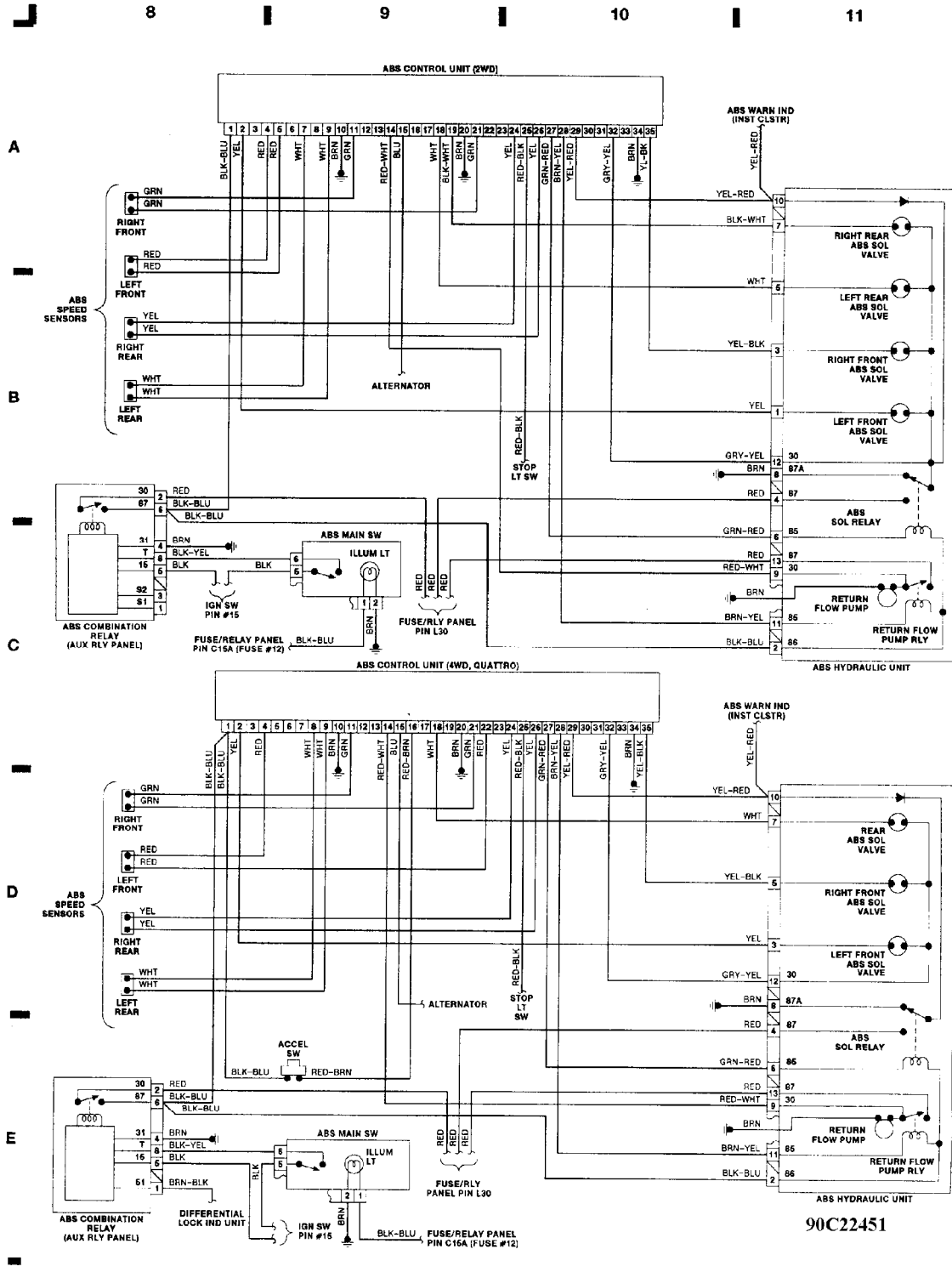


Fig. 3: Anti-Lock Brake System (Grid 8-11)

WIRING DIAGRAMS

Article Text (p. 6)

1990 Audi 200

For *****

Copyright © 1998 Mitchell Repair Information Company, LLC

Saturday, May 08, 1999 04:37PM

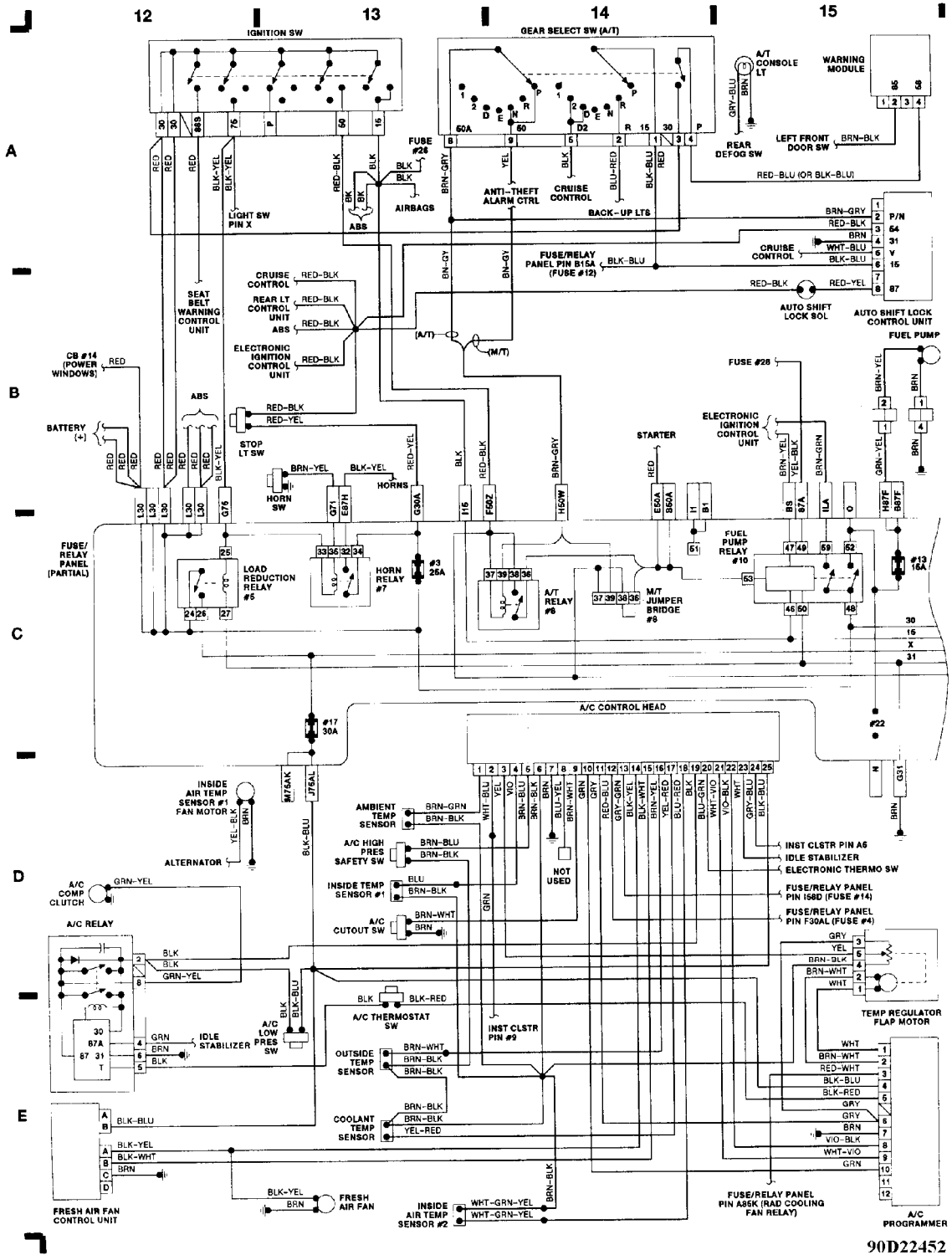


Fig. 4: Fuse Block and A/C & Heating (Grid 12-15)

90D22452

WIRING DIAGRAMS

Article Text (p. 7)

1990 Audi 200

For *****

Copyright © 1998 Mitchell Repair Information Company, LLC
Saturday, May 08, 1999 04:37PM

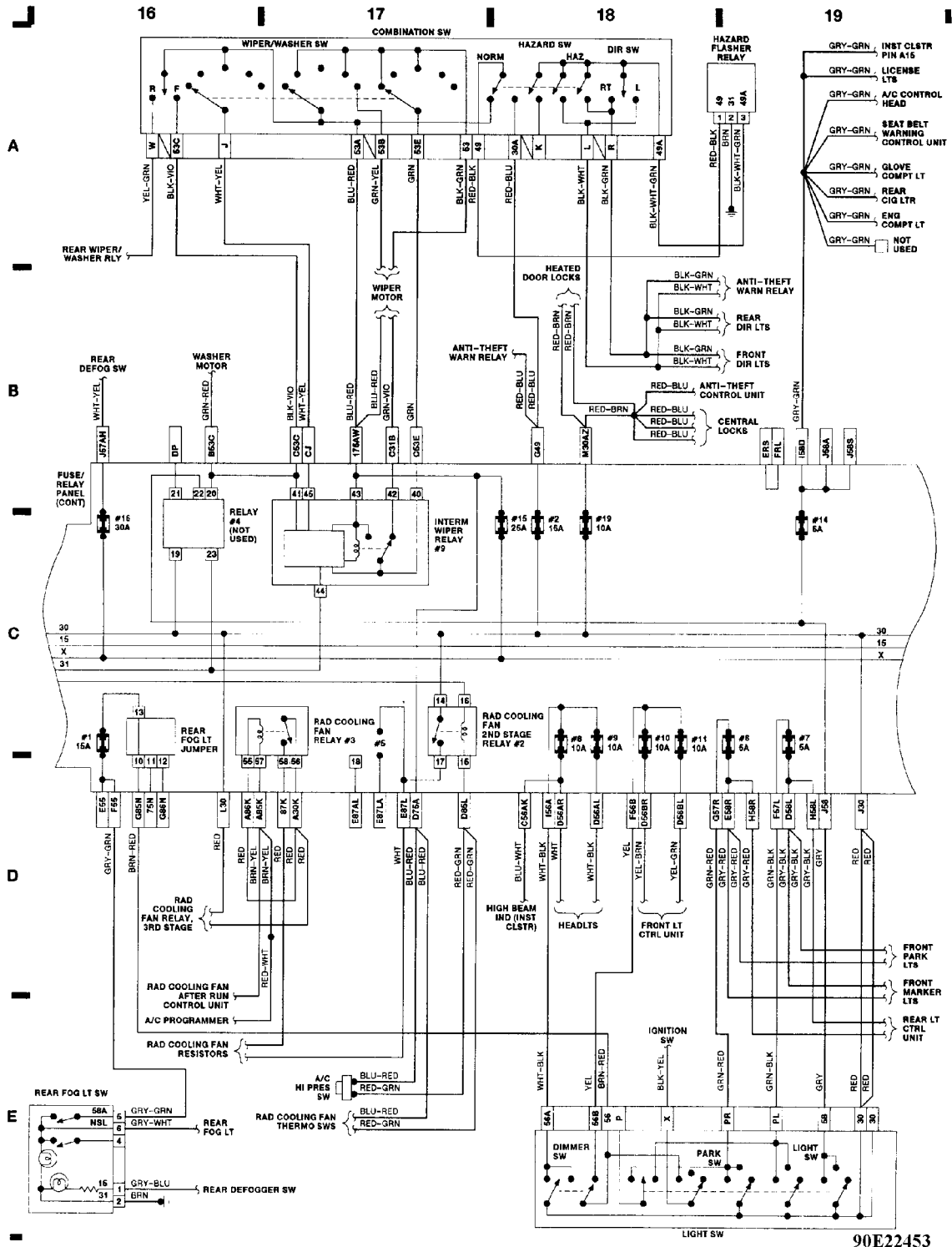


Fig. 5: Fuse Block (Cont) and Comb Sw, Light Sw (Grid 16-19)

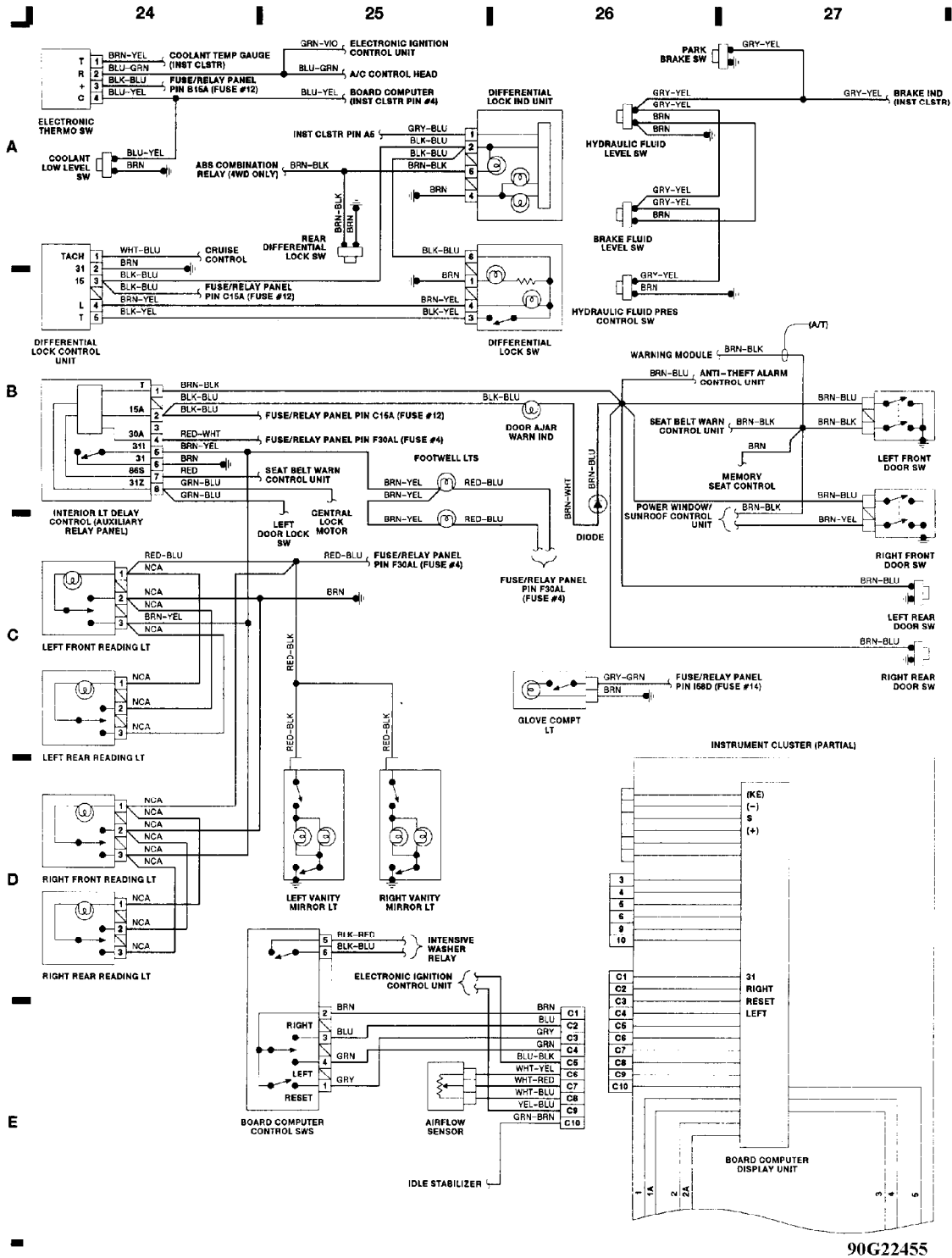
WIRING DIAGRAMS

Article Text (p. 9)

1990 Audi 200

For *** ** *

Copyright © 1998 Mitchell Repair Information Company, LLC
Saturday, May 08, 1999 04:37PM



90G22455

Fig. 7: Interior Light, Instrument Panel, Door Sw (Grid 24-27)

WIRING DIAGRAMS

Article Text (p. 10)

1990 Audi 200

For *** **

Copyright © 1998 Mitchell Repair Information Company, LLC
Saturday, May 08, 1999 04:37PM

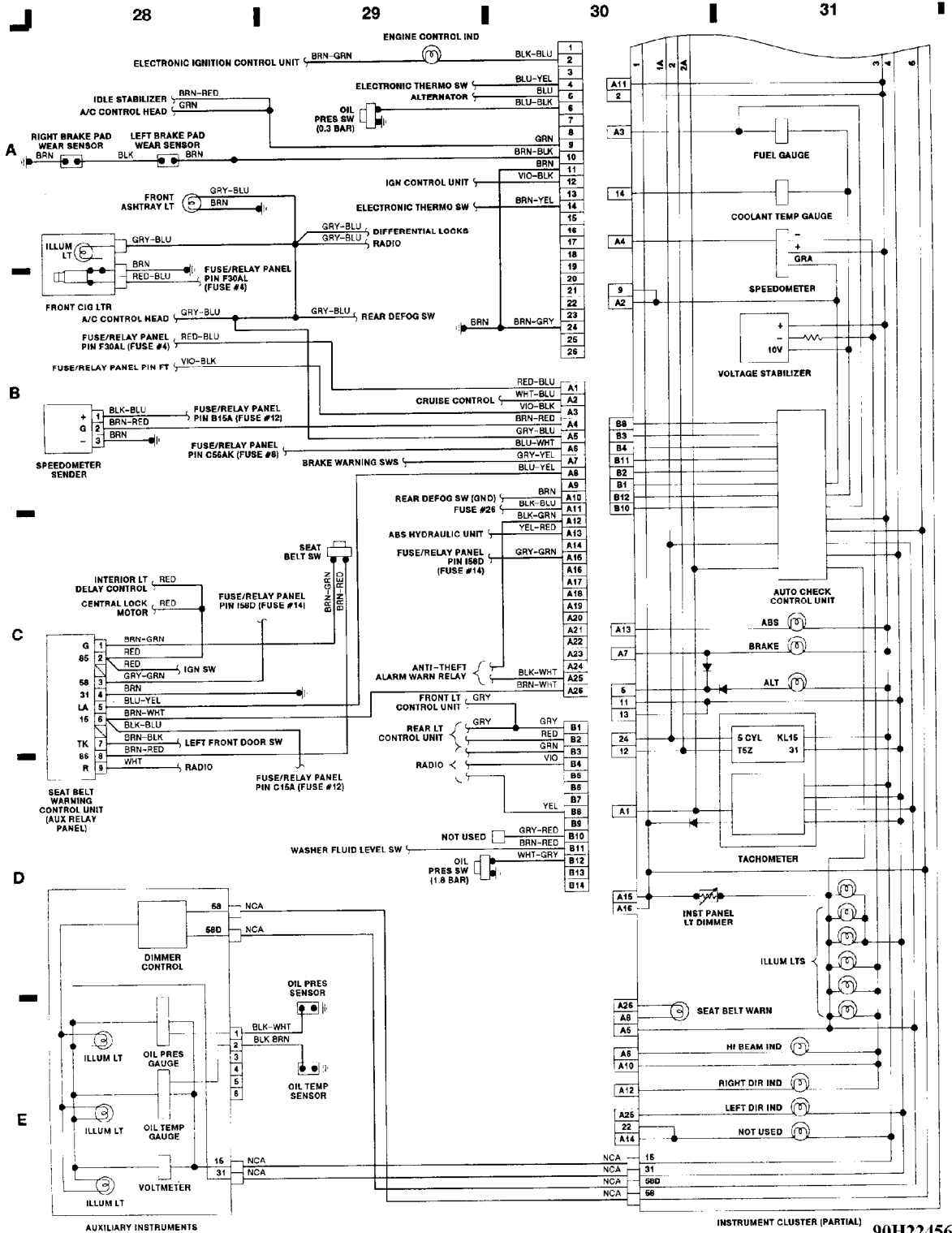


Fig. 8: Instrument Panel (Cont), Seat Belt Warning (Grid 28-31)

90H22456

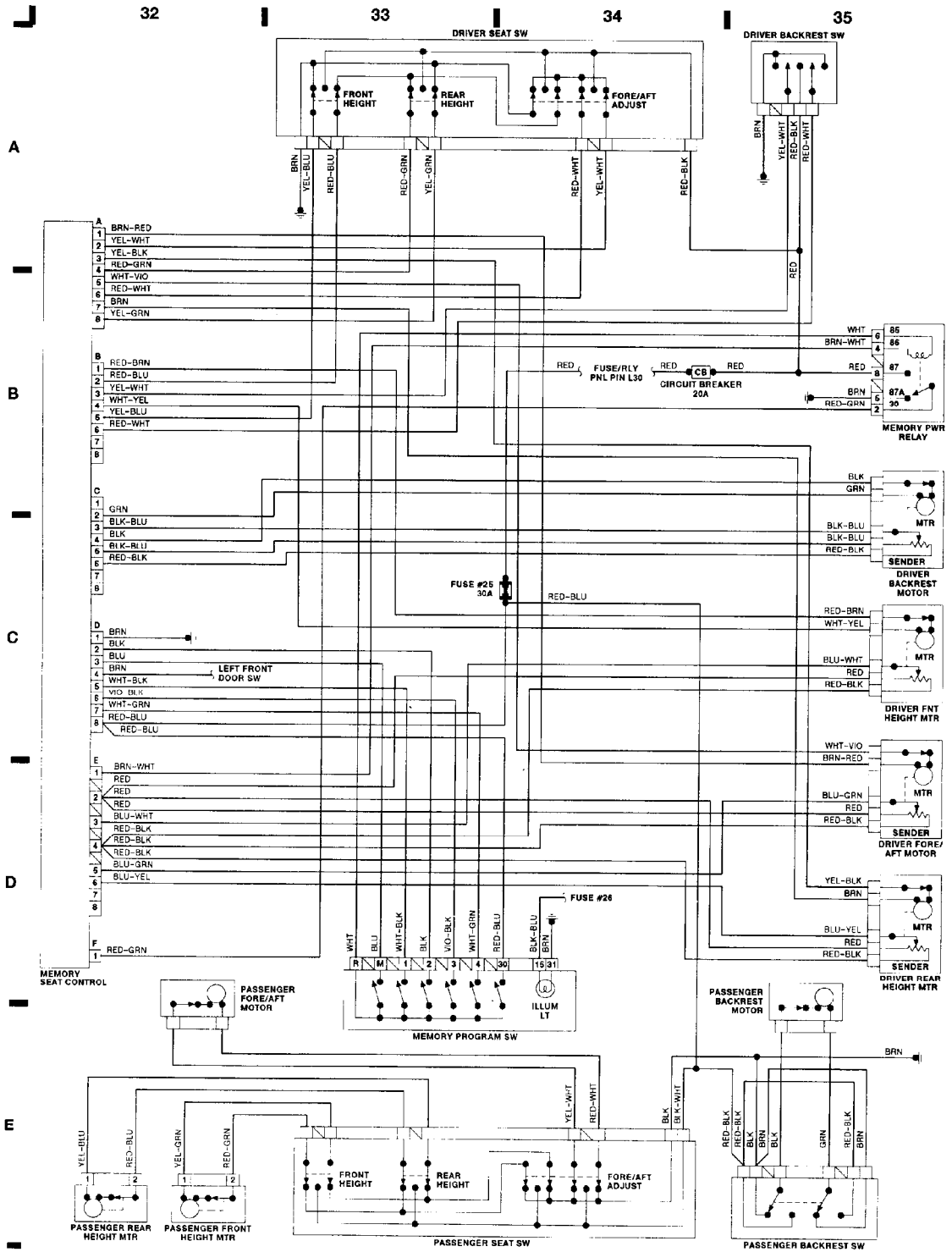
WIRING DIAGRAMS

Article Text (p. 11)

1990 Audi 200

For *** **

Copyright © 1998 Mitchell Repair Information Company, LLC
Saturday, May 08, 1999 04:37PM



90122457

Fig. 9: Power Seat System (Grid 32-35)

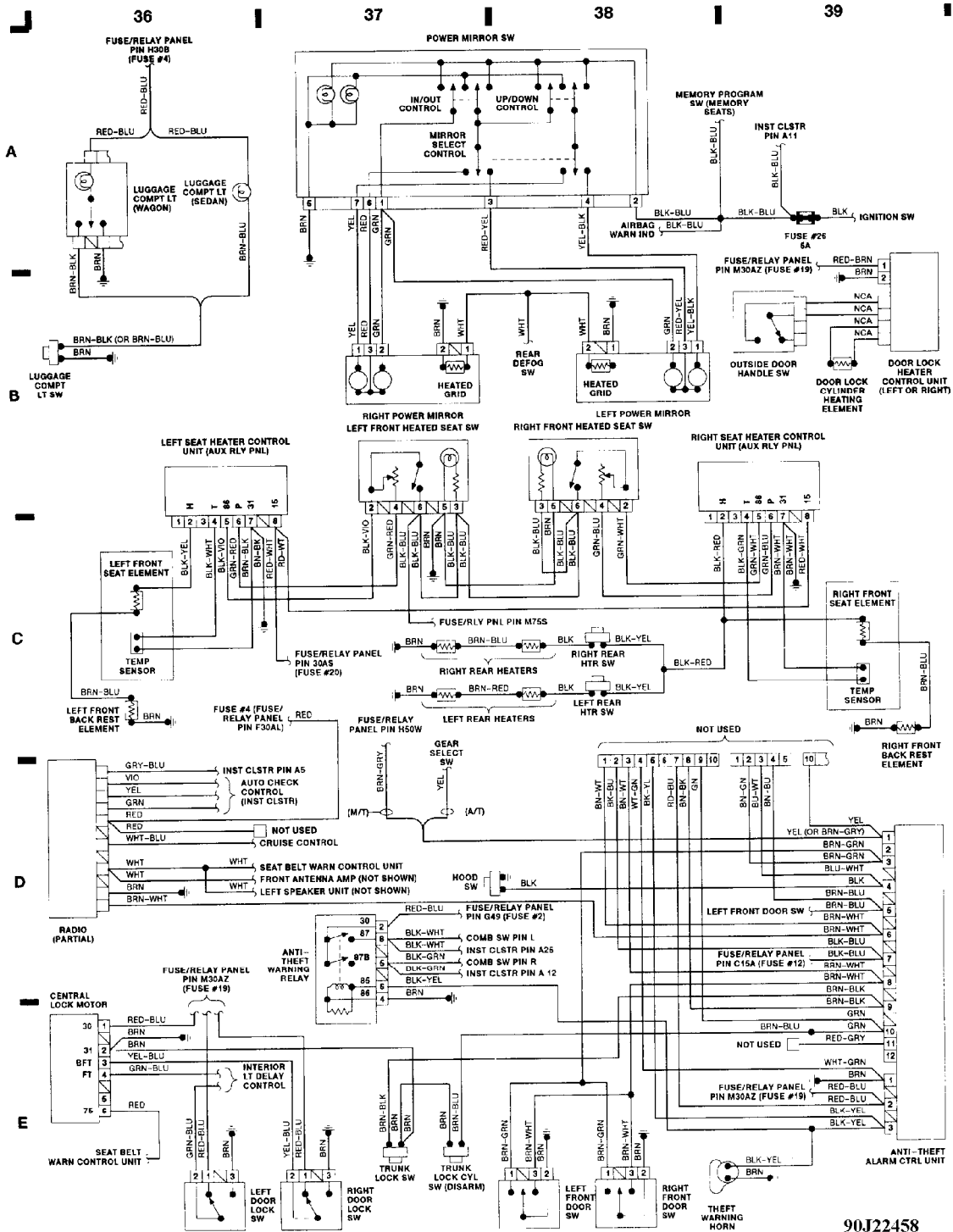
WIRING DIAGRAMS

Article Text (p. 12)

1990 Audi 200

For **** * * * * *

Copyright © 1998 Mitchell Repair Information Company, LLC
Saturday, May 08, 1999 04:37PM



90J22458

Fig. 10: Anti-Theft System, Power Doors/Mirrors/Seat (Grid 36-39)

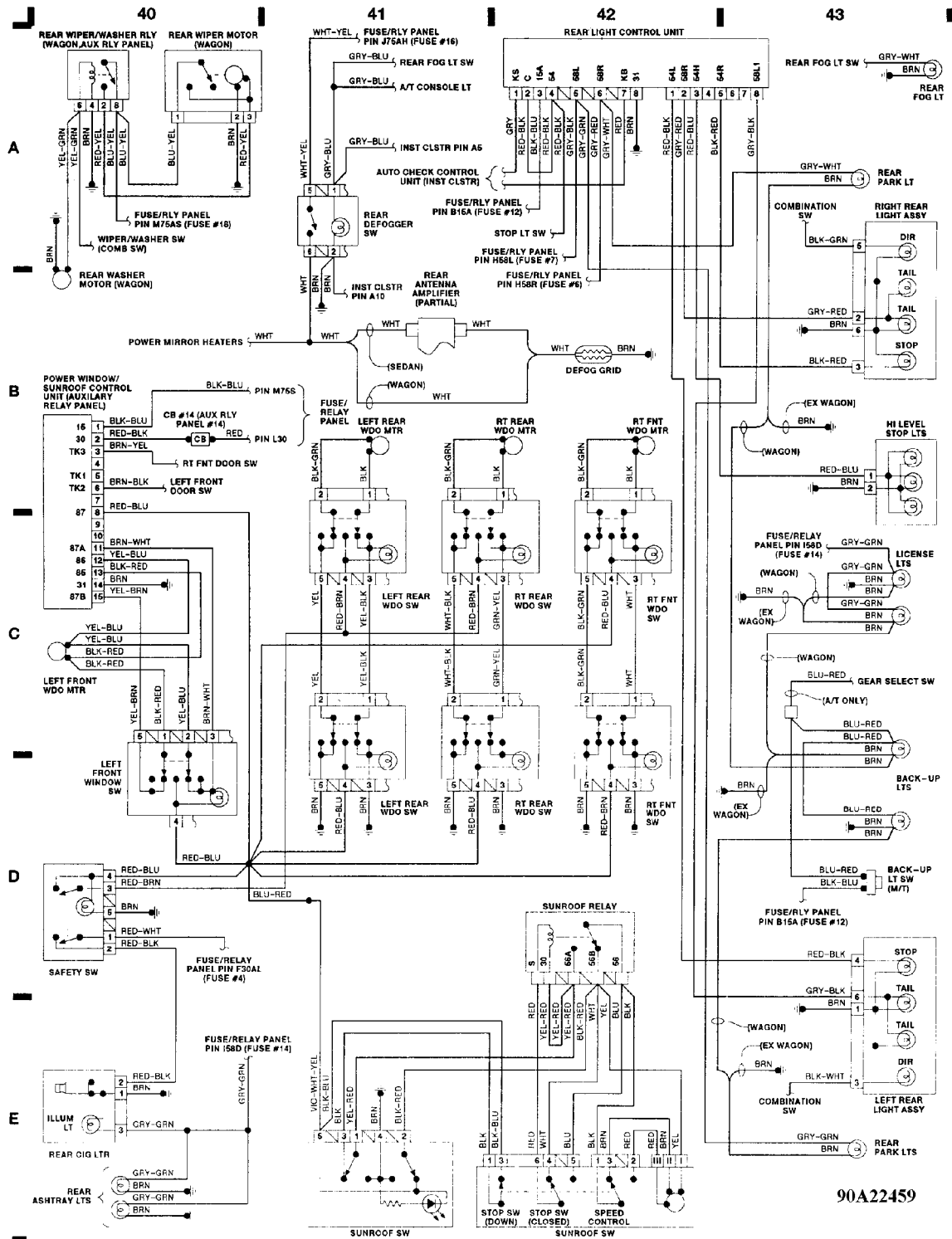
WIRING DIAGRAMS

Article Text (p. 13)

1990 Audi 200

For *****

Copyright © 1998 Mitchell Repair Information Company, LLC
Saturday, May 08, 1999 04:37PM



90A22459

Fig. 11: Pwr Windows, Sunroof, Passenger Comp, Taillt (Grid 40-43)

END OF ARTICLE